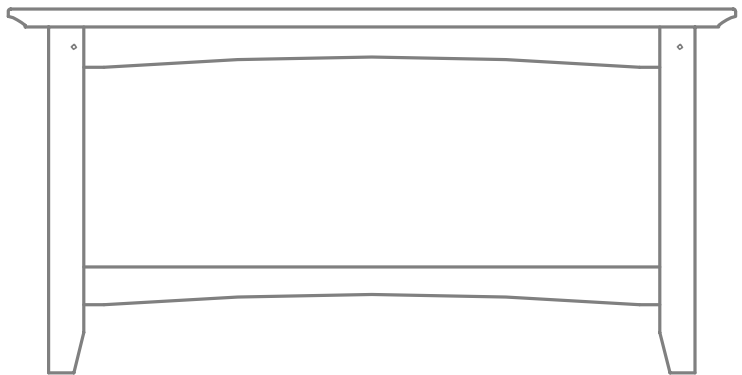
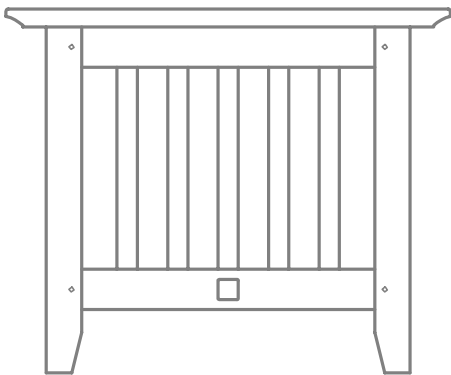


MISSION COFFEE TABLE



18H X 36W X 22D OVERALL



BenchMark

MISSION STYLE COFFEE TABLE

Philip Dumbalough

PLATE ZERO

DEC 10, 2002

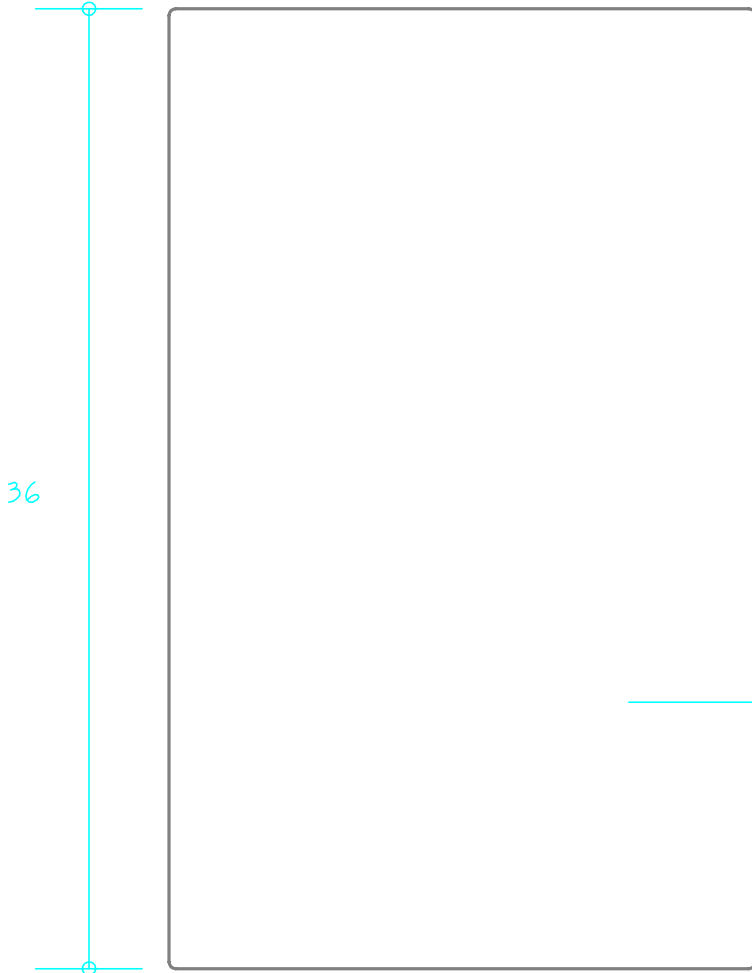
COFFEE.GCD

REV A

<http://benchmark.20m.com>

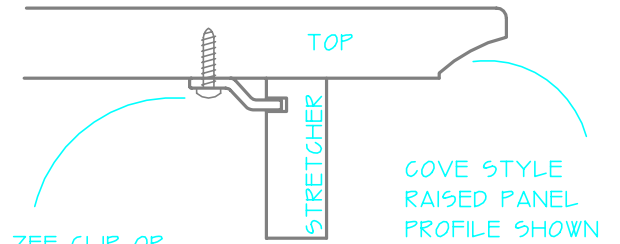
TOP

22



36

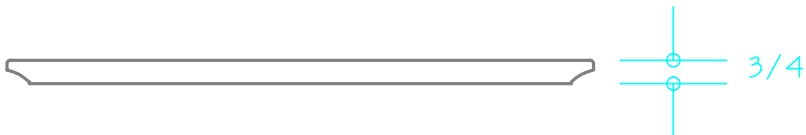
- SECTION A -



ZEE CLIP OR
OTHER ATTACHMENT
METHOD USED TO
SECURE TOP
TO LEG / FRAME
ASSEMBLY

COVE STYLE
RAISED PANEL
PROFILE SHOWN

A



3/4

TOP MADE OF SOLID STOCK EDGE GLUED TOGETHER
OR A VENEERED SUBSTRATE WITH BANDED EDGES

Benchmark

MISSION STYLE COFFEE TABLE

Philip Bumbalough

PLATE ONE

DEC 10, 2002 COFFEE.GCD

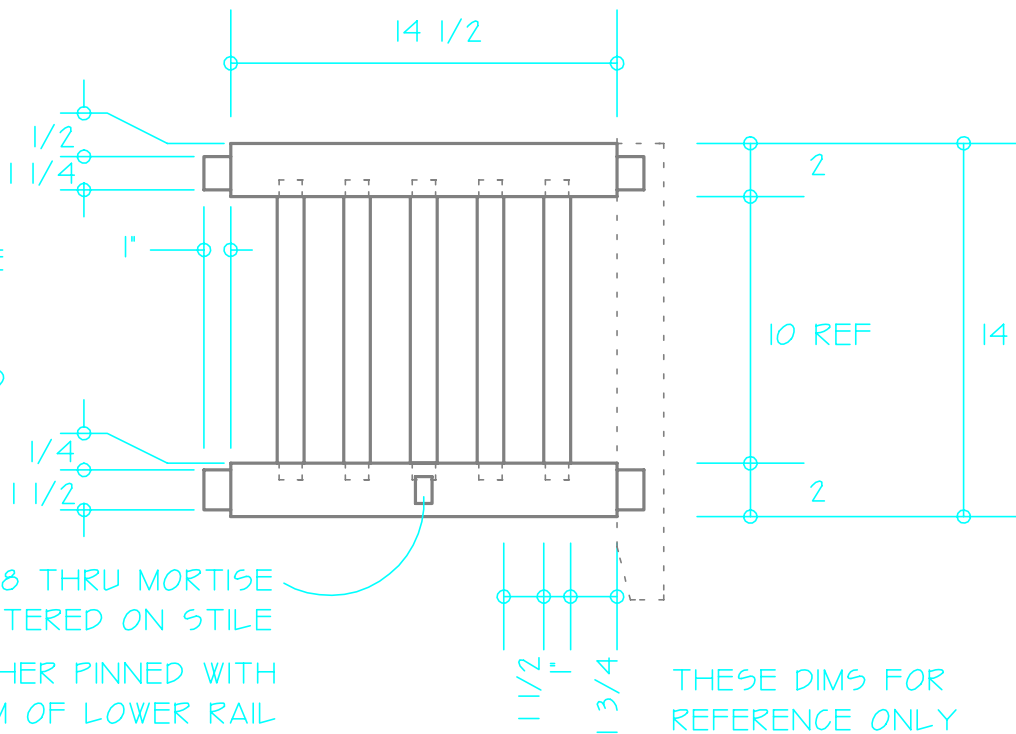
REV A

<http://benchmark.20m.com>

SPINDLE ASSEMBLY

END RAIL ASSEMBLY

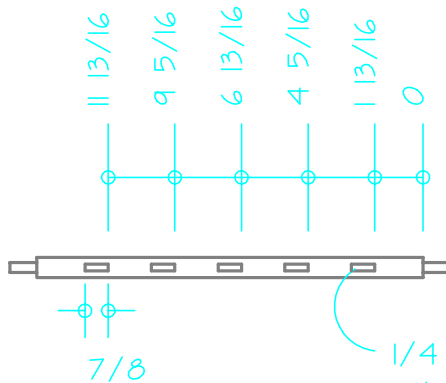
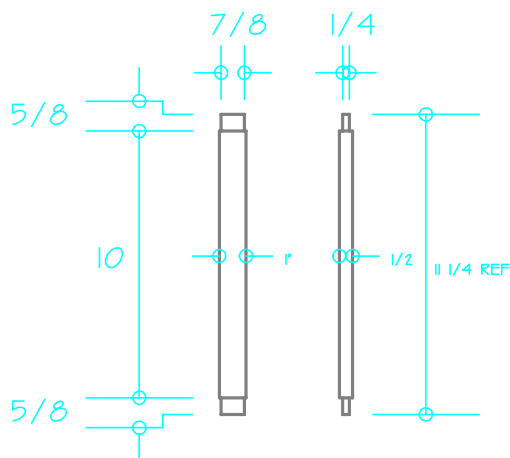
UPPER AND LOWER SPINDLE
RAILS SHOWN ASSEMBLED
WITH SPINDLES
TWO ASSEMBLIES REQUIRED



BOTTOM STRETCHER PINNED WITH
PEG TROUGH BOTTOM OF LOWER RAIL

SPINDLE

TEN REQUIRED



SPINDLE MORTISE
LOCATIONS

Benchmark

MISSION STYLE COFFEE TABLE

Philip Bumbalough

PLATE TWO

DEC 10, 2002 COFFEE.GCD

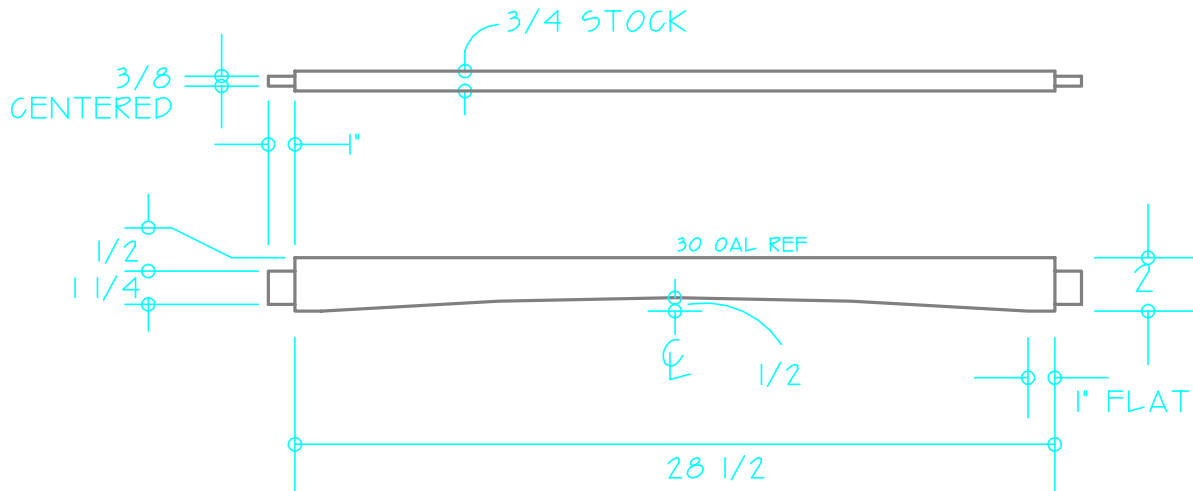
REV A

<http://benchmark.20m.com>

STRETCHERS

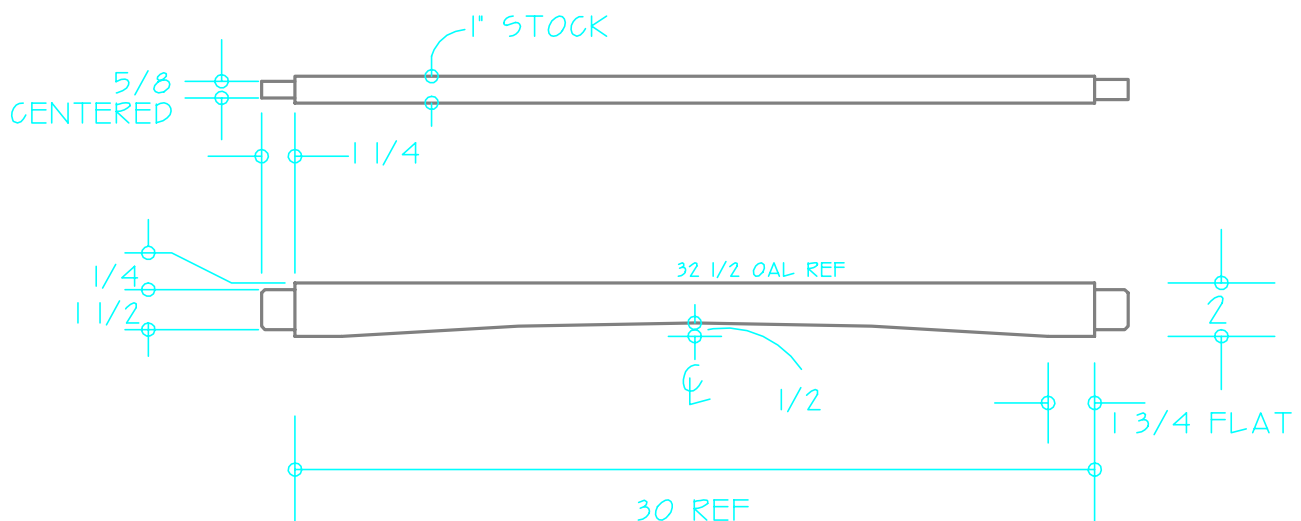
TOP STETCHERS

TWO REQUIRED



BOTTOM STRETCHER

ONE REQUIRED



CHAMFERED ENDS, TENON
WILL PROTRUDE 1/2" THROUGH
LOWER SPINDLE RAIL

Benchmark

MISSION STYLE COFFEE TABLE

Philip Dumbalough

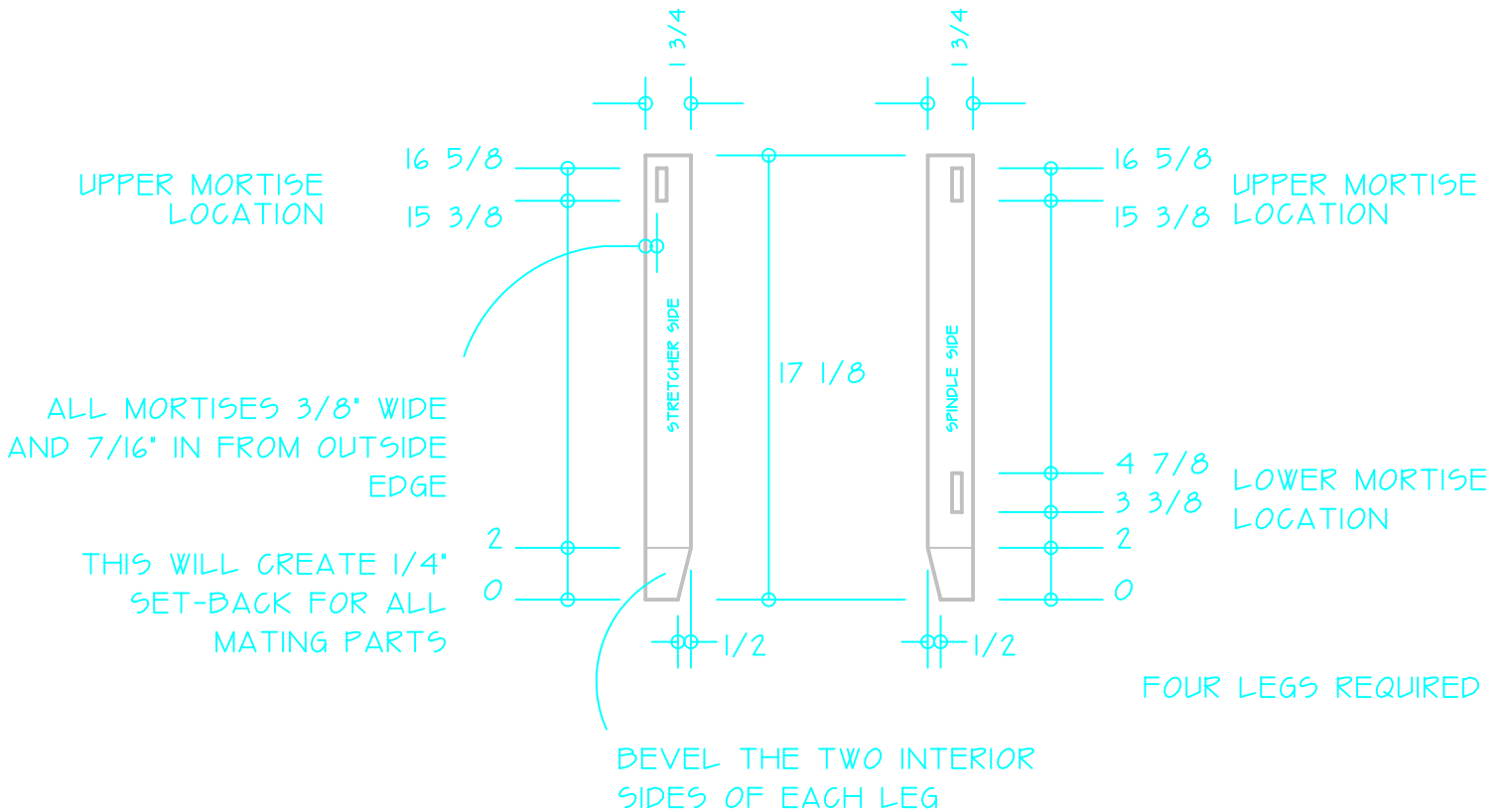
PLATE THREE

DEC 10, 2002 COFFEE.GCD

<http://benchmark.20m.com>

REV A

LEG



BenchMark

MISSION STYLE COFFEE TABLE

Philip Dumbalough

PLATE FOUR

DEC 10, 2002 COFFEE.GCD

REV B

<http://benchmark.20m.com>