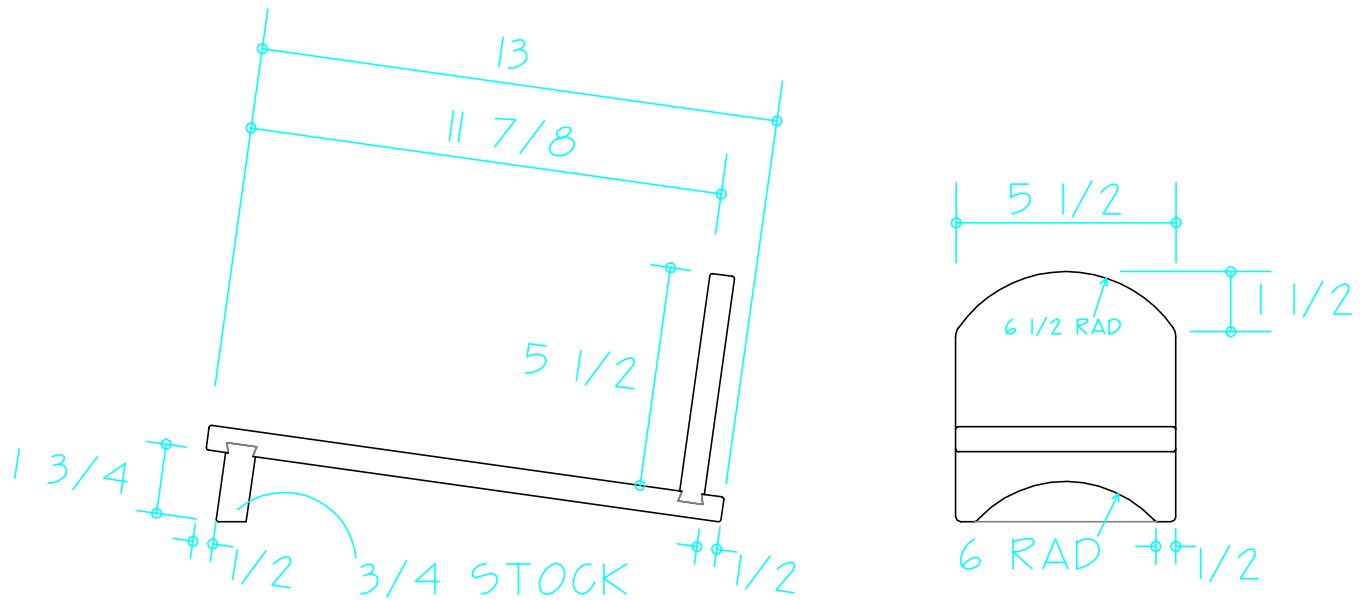


SHAKER STYLE CD HOLDER



NOTES

- ALL STOCK 5/8 THICK UNLESS OTHERWISE NOTED
- ALL PART JOINED USING SLIDING DOVETAIL 1/4" DEEP
- LOWER ARCHE PEGGED, NOT GLUED (CROSS GRAIN CONSTRUCTION)
- ANGLE BOTTOM ARCH PIECE SO THAT UNIT SITS FLAT (EIGHT DEGREES WITH DIMENSIONS SHOWN)

Benchmark

SHAKER STYLE CD HOLDER

Philip Bumbalough

PLATE ONE

SEP 6, 2001

CDHOLDER.GCD

REV A

<http://benchmark.20m.com>