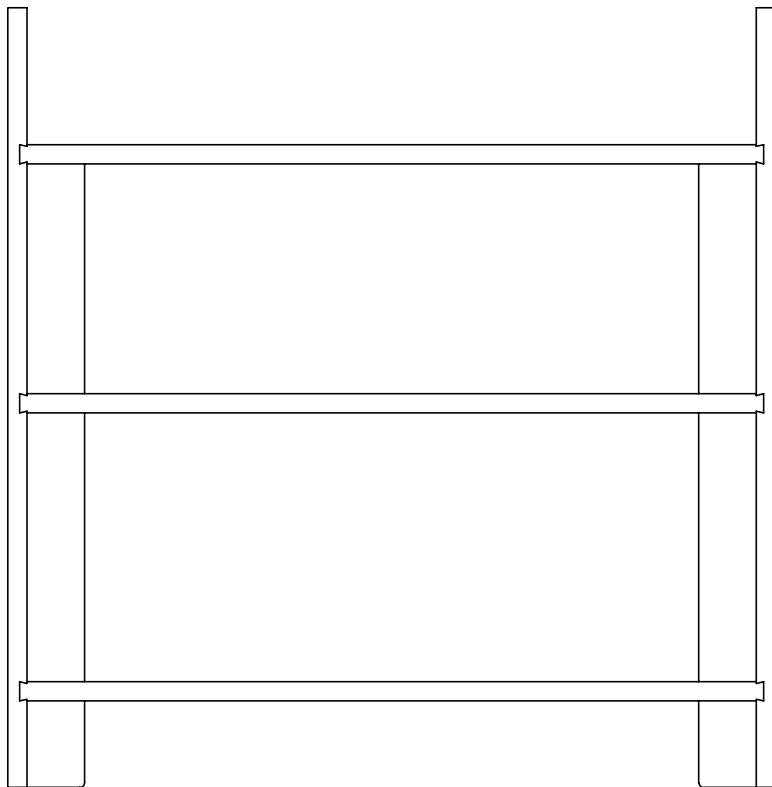
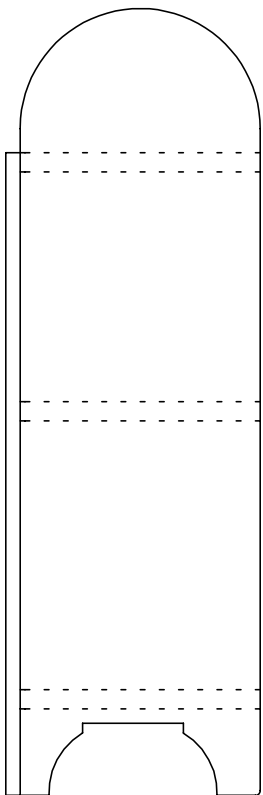
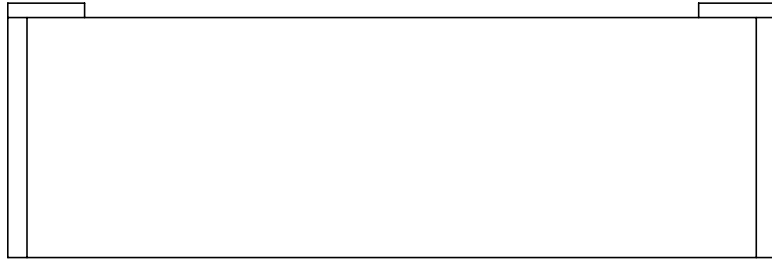


SHAKER SHELF



BenchMark

SHAKER SHELF UNIT

Philip Dumbalough

PLATE ONE

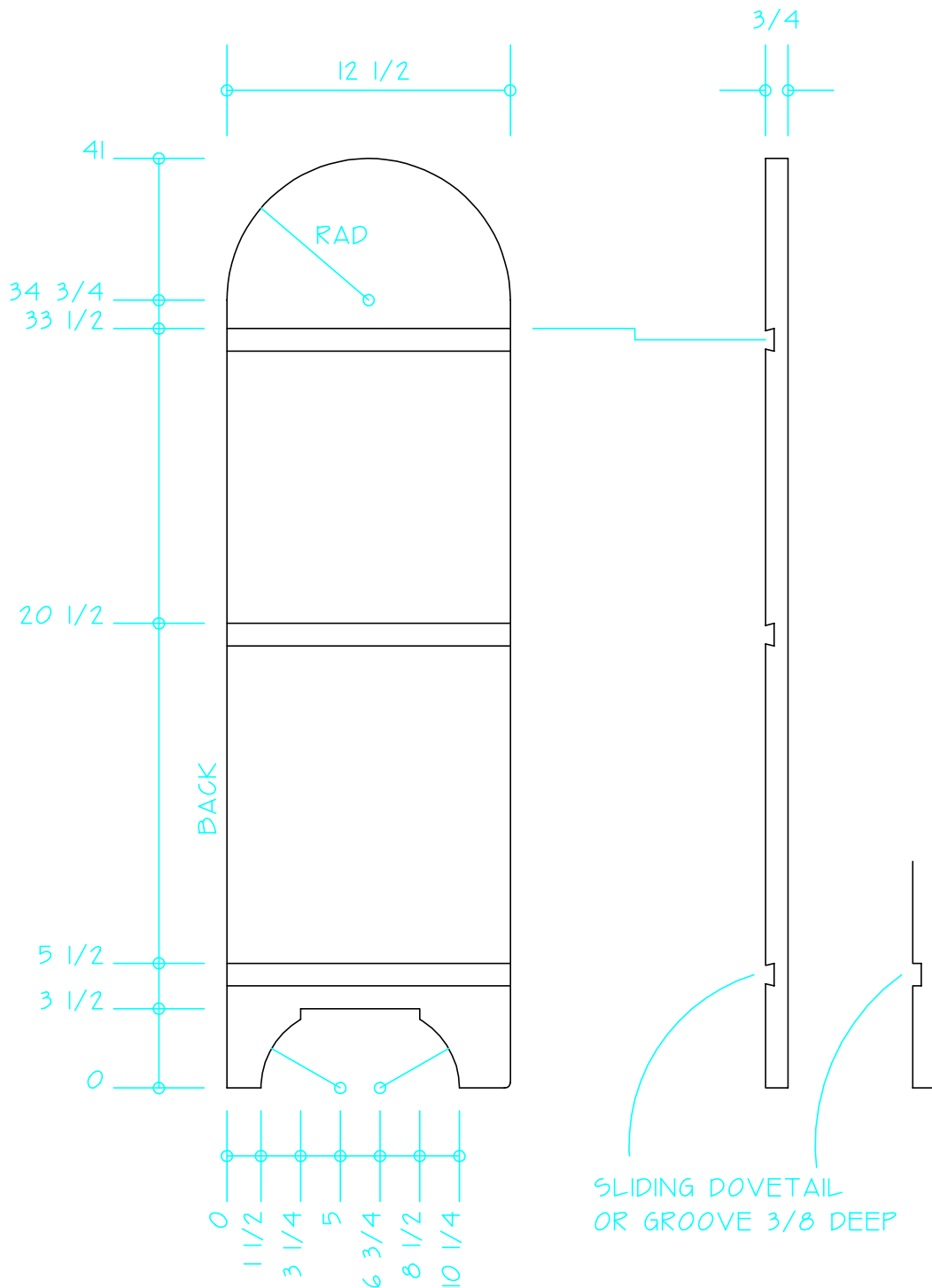
Feb, 2003

SHAKSHLF.GCD

REV A

<http://benchmark.20m.com>

SIDES



MAKE TWO, ONE LEFT AND RIGHT

BenchMark

SHAKER SHELF UNIT

Philip Dumbalough

PLATE TWO

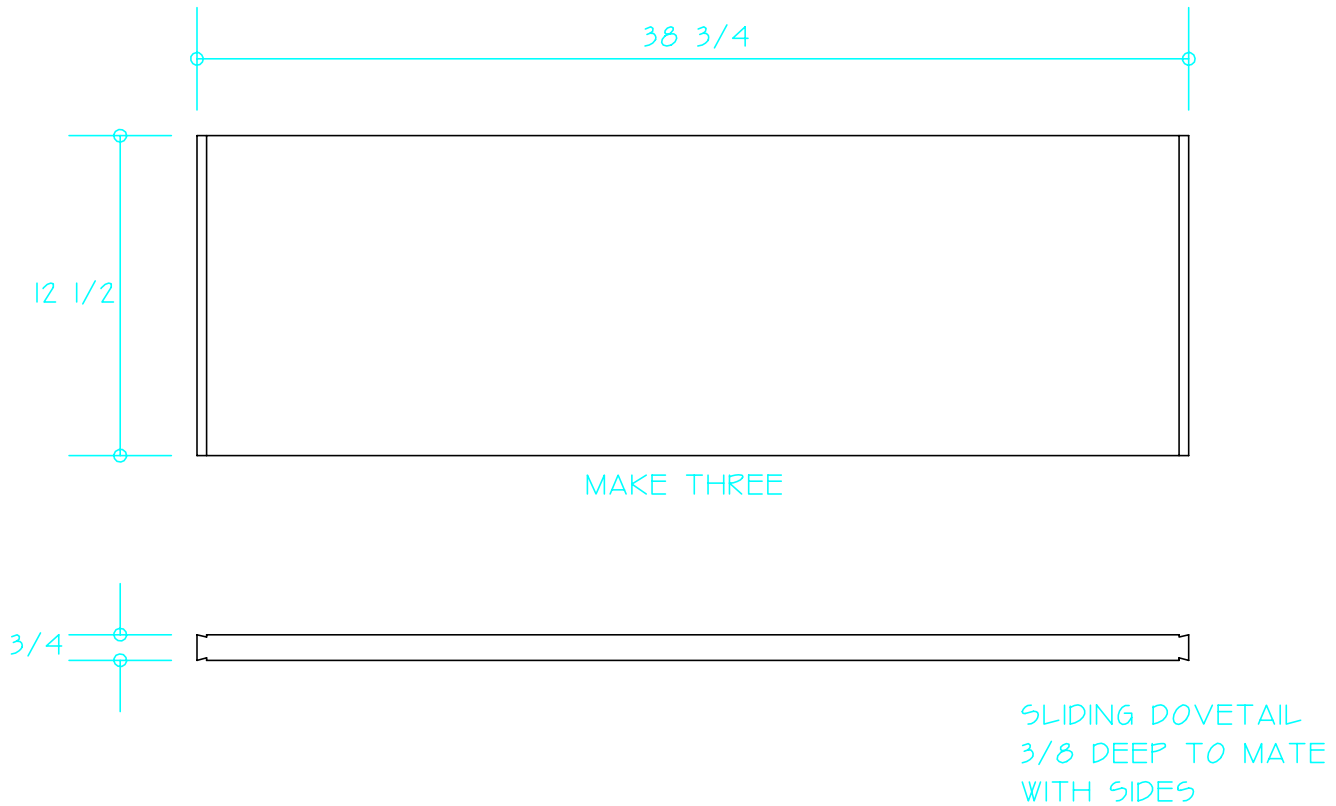
Feb, 2003

SHAKSHLF.GCD

REV A

<http://benchmark.20m.com>

SHELF



ALSO REQUIRED:

TWO 4 X 33 1/2 STIFFENERS APPLIED TO BACK SIDE, SEE PLATE ONE

BenchMark

SHAKER SHELF UNIT

Philip Dumbalough

PLATE THREE

Feb, 2003

SHAKSHLF.GCD

REV A

<http://benchmark.20m.com>